

MW01 WALL MIXER

meir®

MATTE BLACK
MW01

AVAILABLE
FINISH

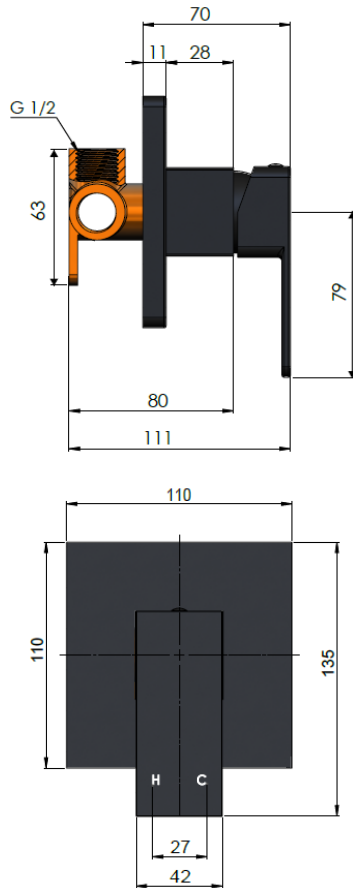
FEATURES

- 10 Year warranty
- Flow rate 18L p/m
- European components and cartridge
- Reinforced rubber seal and lining
- Solid brass construction
- Box Weight 1.36 Kg

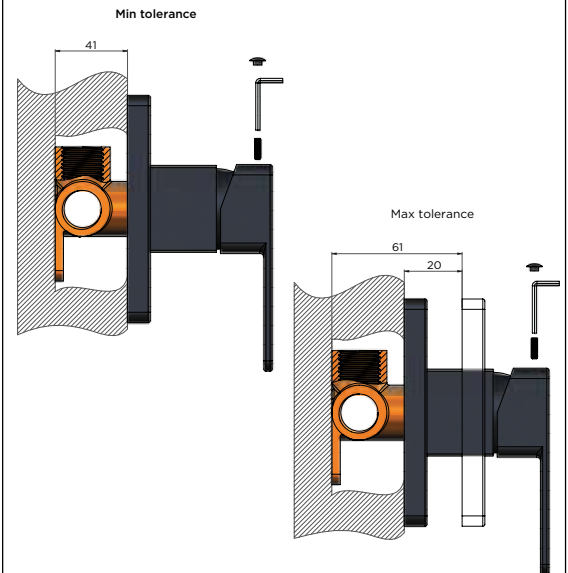
CARE

- Do not install tapware using any form of acetone silicones.
- Do not apply physical items (such as tools) directly to product.
- Never use house-hold or commercial detergents, citrus based cleaners, or abrasive cleaners.
- Clean using a mild washing soap solution rinsed, and dry with a soft cloth.
- Check for any product defects before installation.
- Refer to the installation manual for correct installation.

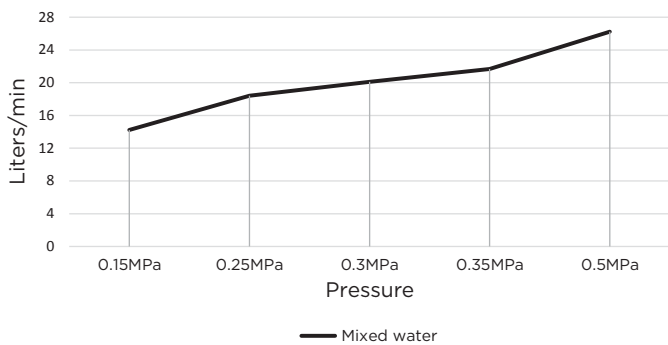
SPECIFICATIONS



TOLERANCES



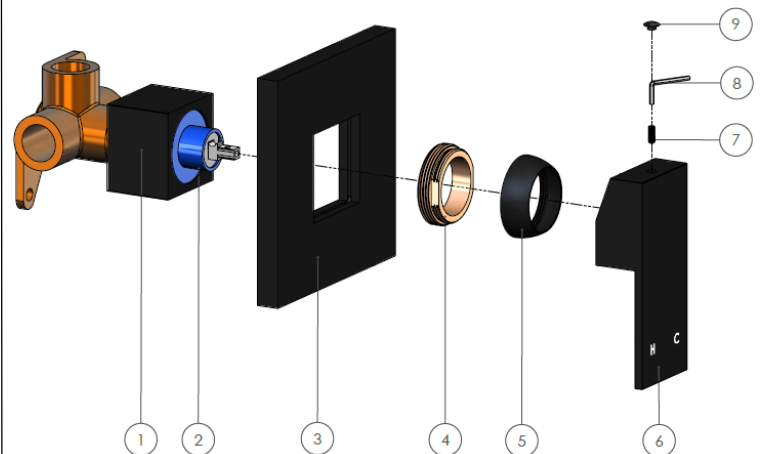
FLOW RATE GRAPH



CREDENTIALS

- WaterMark AS/NZS3718WMKA25013

EXPLODED VIEW



1. Body
2. Cartridge
3. Back Plate
4. Nut
5. Decor Cover
6. Handle
7. Grub Screw
8. Allen Key
9. Decor Knob

1085

(650)

387.5

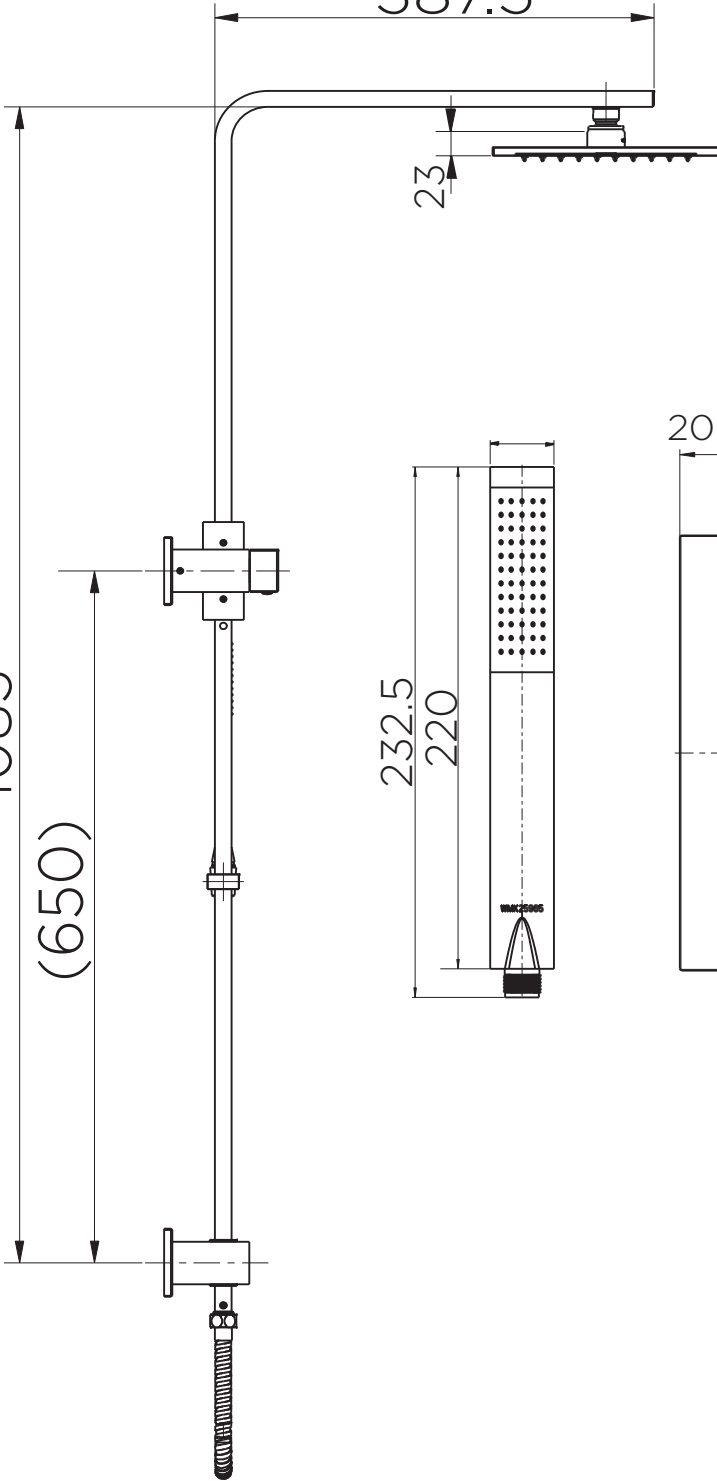
23

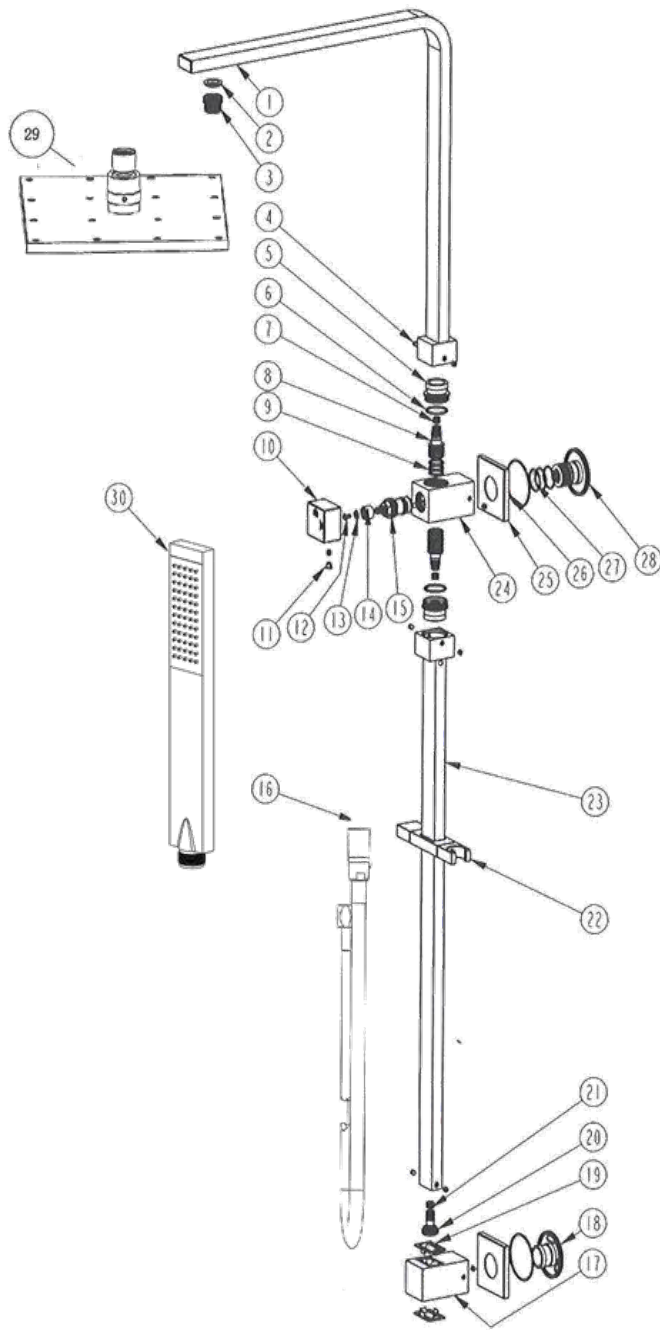
232.5

220

200mm -300mm variations

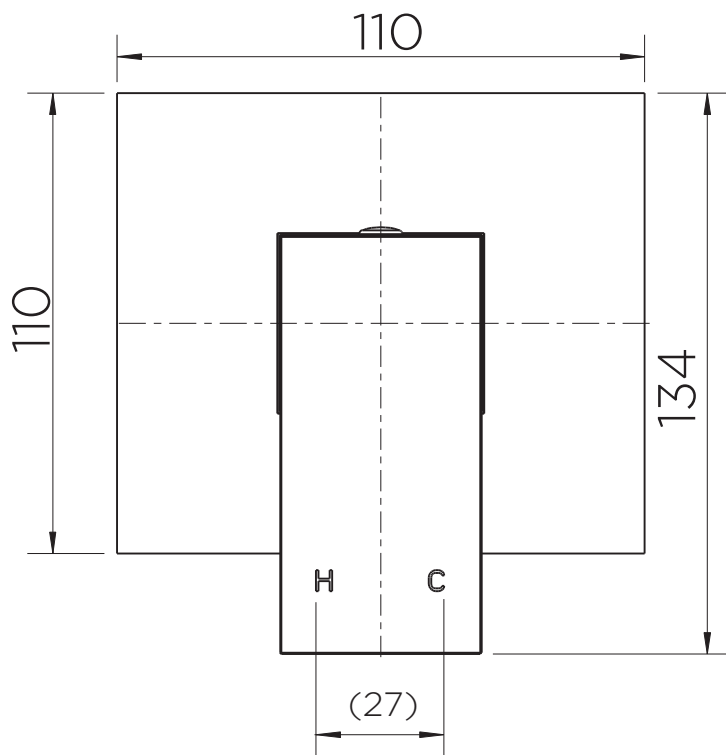
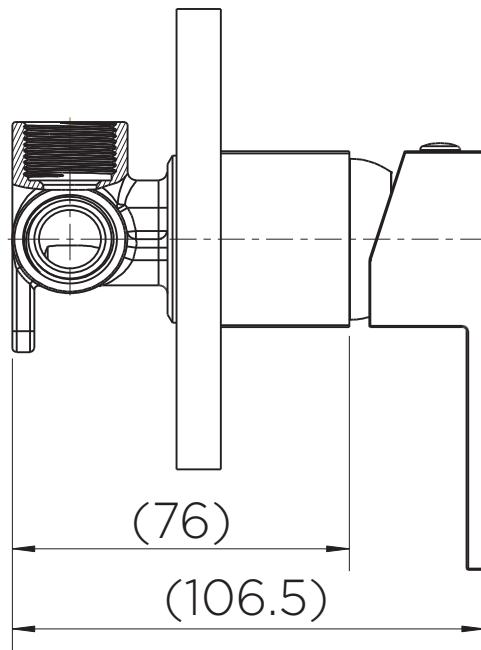
200mm -300mm variations



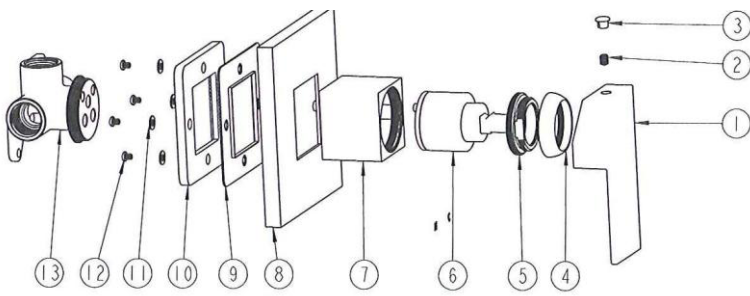


Item Description

- 1 spout
- 2 flat washer
- 3 shower connector
- 4 screw
- 5 connector
- 6 o-ring
- 7 o-ring
- 8 connector
- 9 o-ring
- 10 handle
- 11 Color button
- 12 screw
- 13 washer
- 14 connector
- 15 cartridge
- 16 shower hose
- 17 fixed seat
- 18 fixed seat
- 19 Protective sleeve
- 20 connector
- 21 o-ring
- 22 shower bracket
- 23 rail
- 24 three way body
- 25 plate
- 26 o-ring
- 27 o-ring
- 28 water inlet base
- 29 shower rose
- 30 hand shower



Item Description



- 1 handle
- 2 screw
- 3 decorative button
- 4 decorative cap
- 5 nut
- 6 cartridge
- 7 brass sleeve
- 8 plate
- 9 PE seal
- 10 seal
- 11 wash
- 12 screw
- 13 internal body